

① The EJOT DELTAsert® is assembled with a self-tapping thread into the plastic tube with a conventional screw driver and a rotation speed of approx. 500 rpm. According to the plastic material a tightening torque of [MA] from 10 to 12 Nm is recommended.

② For this the EJOT® DELTAsert is attached to the TORXplus® bit with guiding pin (45IP). This can be done manually or also with the respective feeding unit. The guiding pin enables the axial fastening of the EJOT DELTAsert® into the boss.

③ After installation an immediate further processing is possible. There are no holding times for cooling down to the final strength necessary. Floating, as necessary with the usual ultrasound assembly, is not necessary with this process.

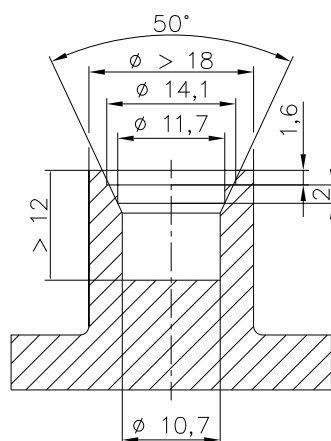
④ The subsequent assembly of the clamping part with the EJOT ALtracs® 60 screw is also a self-tapping process. The tightening torque is recommended at approx. 12 Nm depending on the screw surface and the clamping part.

⑤ After fastening, this detachable direct assembly for highly loaded plastic components is ready for further usage right away.

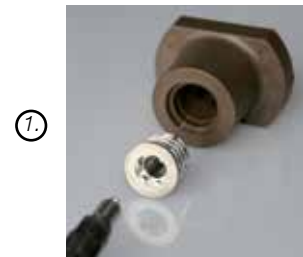
**(Of course also available with metric M6 screw)*



45IP with guide pin



*Design recommendation
EJOT DELTAsert® 60
Hole diameter adjusted to PA6 GF30*



①



②



③



④



⑤

Assembly Process