

EJOT® EPPsys D snap

Reliable fastening solutions for foamed components

The EJOT® EPPsys (EPP System) product group has been developed to fasten components to foamed parts, in particular EPP (expanded polypropylene).

EJOT® EPPsys D snap

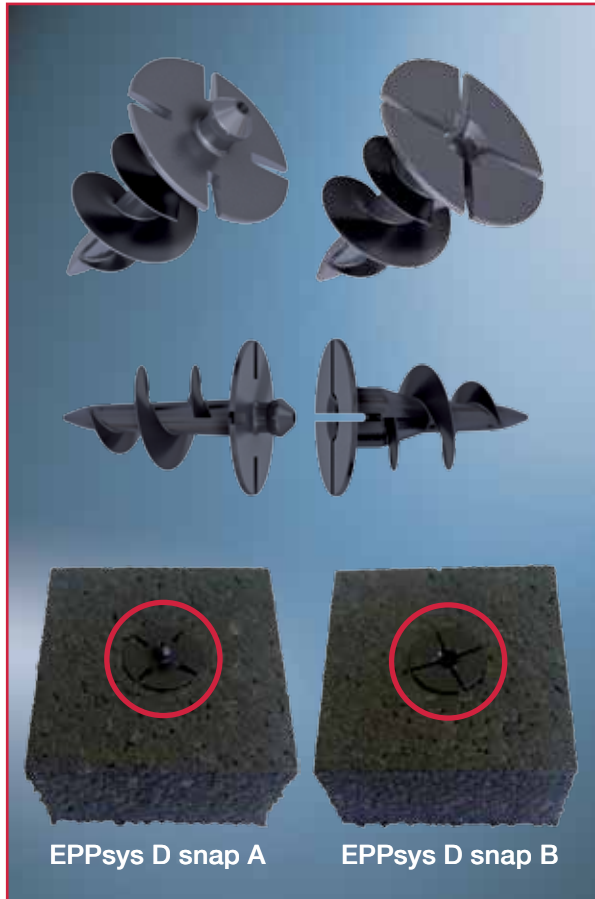
The EPPsys D snap A and snap B versions allow for multiple locking and loosening of the joint.

The different EPPsys versions with integrated locking and loosening function, are screwed into the components to be joined with a special drive and then snap-fitted with axial pressure of ca. 40N.

To loosen the snap joint a removal force of 40 N is needed.

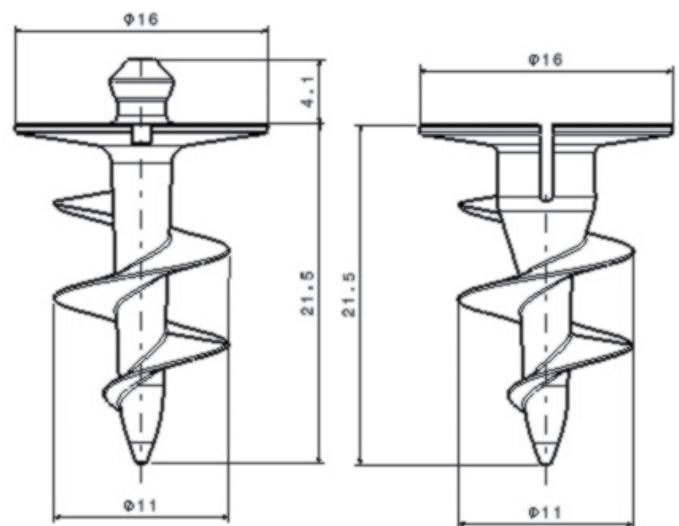
Advantages of the EJOT® EPPsys D snap

- Repeated snap-fitting possible
- Repeated removal possible
- Bespoke EJOT thread for EPP foams
- No pilot hole required, for fastening without exact adherence to tolerances
- Weight savings due to used plastic material
- Clean and simple installation



EPPsys D snap A

EPPsys D snap B



EJOT® EPPsys D snap Technical Data

External thread Ø	11.0 mm
Length	21.5 mm
Head Ø	16.0 mm
Material	POM
Colour	black

Performance features and installation instructions EJOT® EPPsys D snap

Screwdriver speed	n = 150 1/min
Assembly force (snap fitting)	approx. 40N
Removal force (loosening)	approx. 40N